

# TKT-1000S

High performance refrigeration unit for big size truck in range of 42 ~ 56m<sup>3</sup> storage volume.



## DESCRIPTION

As one of the self- powered diesel engine driven units in TR series is designed and manufactured for fresh and frozen applications on large truck(42 ~ 56m<sup>3</sup>).

## EVAPORATOR UNIT ASS'Y

- PLATE FIN TYPE
- Plastic Axial 3-Fans - diam. 300 mm
- Air Volume : 3290m<sup>3</sup>/h
- Designed Air speed : 8.6 m/s

## ELECTRIC STANDBY

- 11Kw , High Performance AC Motor
- 220V / 380V / 415V , 3-Phase , 50 / 60 Hz

## COMPRESSOR

- BOCK FKX40 - 560TK (option)
- Displacement : 555cc
- Oil : 2 Liters

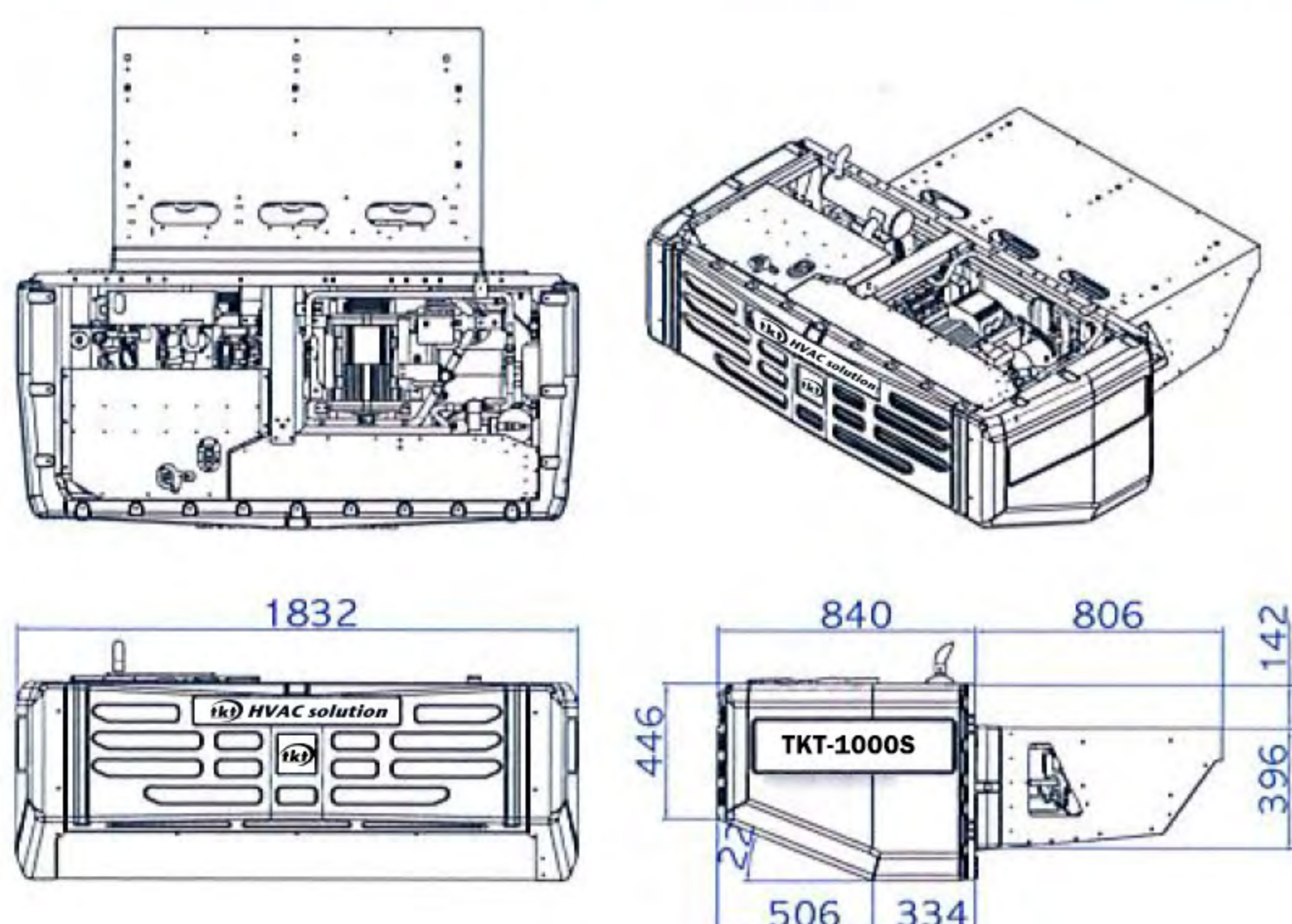
## ENGINE

- DAEDONG 3C-100LW (KOREA)
- 1007cc / 14.9Kw (at 2200RPM)

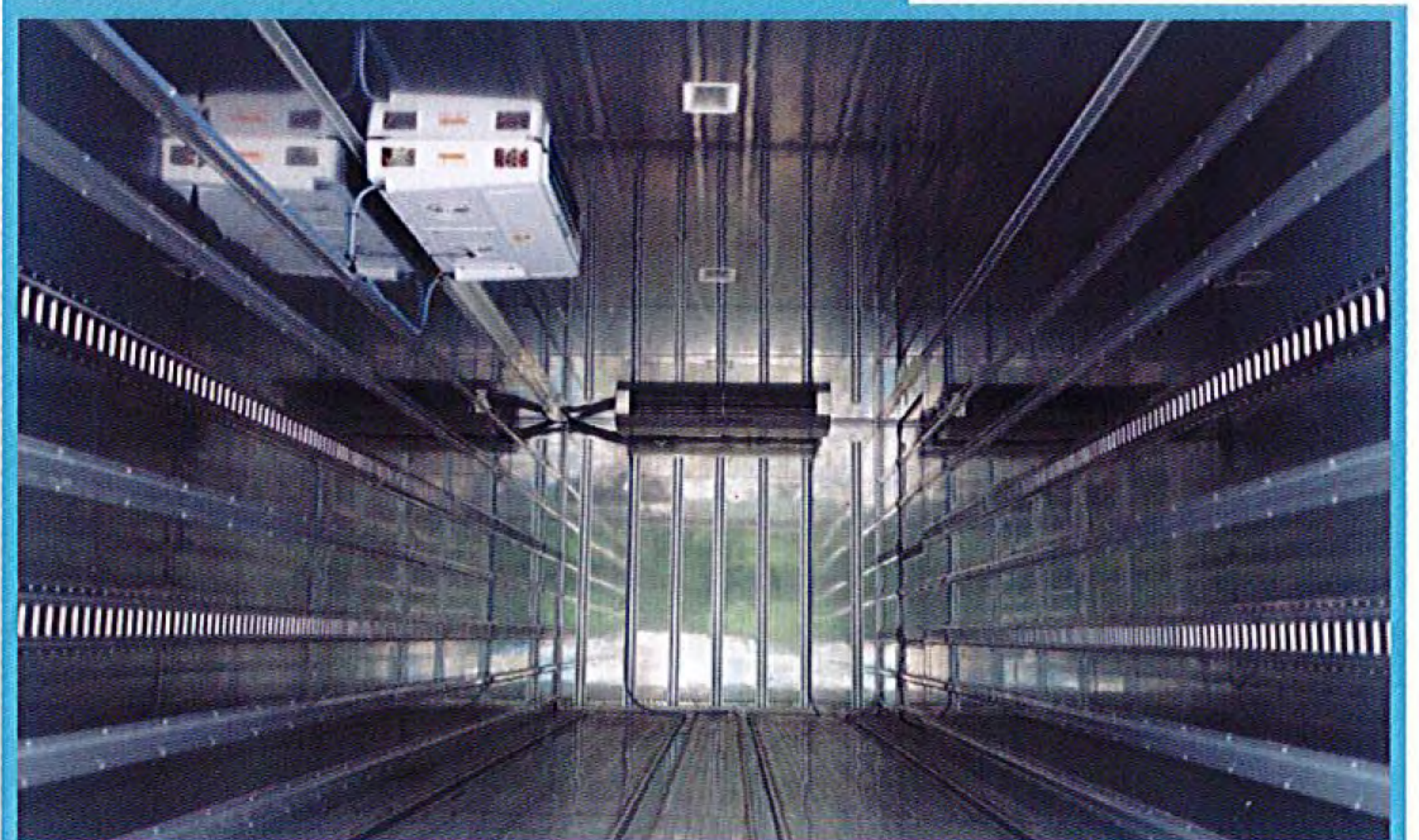
## REFRIGERANT

- HFC R404a or R507 & R134a
- Chlorine - Zero
- Refrigerant charge : 5.3Kg +/- 100g (R404a)

## Condenser & Power Unit Ass'y



## Evaporator Unit Ass'y



# TKT-1000S

## OTHERS

### Defrost Control

- Manual Defrost :  
controlled by the press of the button manually
- Auto Defrost :  
automatically controlled by the difference of the pressure
- Timer Defrost :  
controlled by pre set-up cycling time of timer

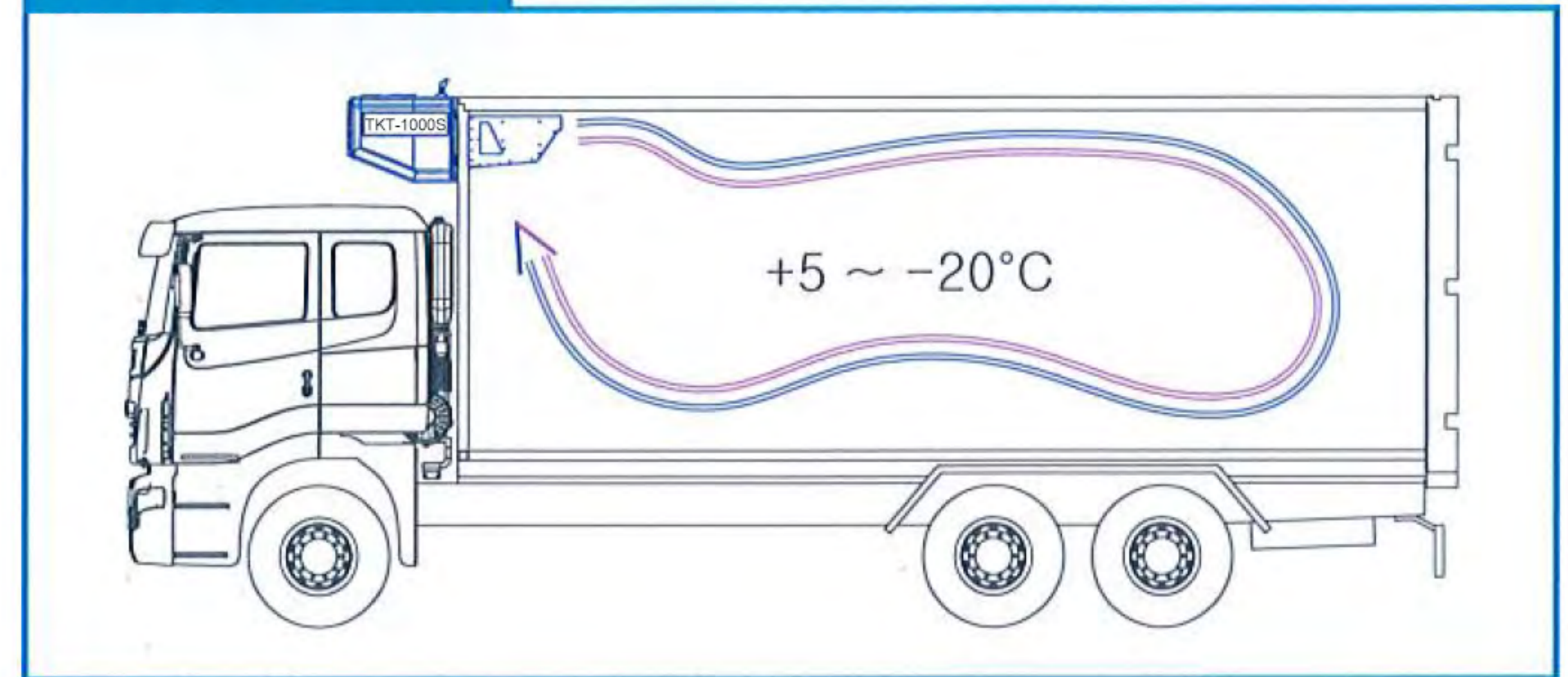
### System Protection

- Engine cut off at low oil pressure
- Engine cut off at high coolant temperature
- Compressor cut off at out-ranged high or low pressure of the system

### Option

- Electric Standby System :  
Applied electric system to operate the refrigerator while the truck engine is off-road.
- Heating System :  
To obtain warm temperature for the chamber at low ambient. temperature
- Multi system :  
Multi temperatures can be obtained on any mode inter-selected between cool and heat fuctions.

## Selection Guide



## Controller & Temperature Recorder



## REFRIGERATOR CAPACITY

Ambient temperature at 35°C / 95°C

	TKT-1000S Engine Driven			TKT-1000S Electric Motor Driven(option)		
	0	-20	-29	0	-20	-29
Watts	9367	6870	4867	8337	6114	4332
Kcal/h	8054	5907	4185	7168	5257	3724
BTU/h	31960	23440	16606	28445	20862	14780

## HEATING CAPACITY

Ambient temperature at -20°C / 4°F

R404A	Engine Power			Electric Power		
	Kcal/h	Watts	BTU/h	Kcal/h	Watts	BTU/h
	6218	7232	24676	5596	6509	22208

\* Specifications can be changed without notice in advance.



**Henan Thermo Kingtec Refrigeration Equipment Co., Ltd**

Add:NO.171 MIDDLE OF ZHONGYUAN ROAD,ZHENGZHOU CITY,HENAN PROVINCE, CHINA

Tel:86--135-92448740 Email: sales@tkthvac.com